

LEISTER

PLASTIC WELDING

WELDPLAST S1

Outstandingly
compact.



www.leister.com








We know how.

WELDPLAST S1 – Outstandingly compact.

With the new WELDPLAST S1 compact extruder, you can achieve perfect seam quality with plate thicknesses of 4 to 12mm and a maximum output power of 0.8 kg/h (PVC: up to 1.15 kg/h). The double-sided, twist-free wire intake can work with 3 to 4 mm wires. Integrated LED lighting plus the innovative operating panel are the perfect way to monitor the process of welding all typical kinds of materials (such as PE, PP, PVC, PA, PVDF or

Digitally regulated extrusion welder

WELDPLAST S1

1		<p>Full control: The multifunctional operating unit gives you perfect control over the welding parameters, ensures reproducible results, and guarantees more efficiency during work.</p>
2		<p>Smart features: Thanks to the integrated hanging point, the WELDPLAST S1 can be hung on a balancer so that it is always ready at hand – preventing fatigue work.</p>
3		<p>Versatile: The WELDPLAST S1 can work with all typical kinds of plastic, such as HD-PE, LD-PE, PP, PVC-U, PVC-C, ECTFE, PVDF or PA.</p>
4		<p>Bright spot: The integrated LED operating lights gives you the perfect view of the welding process.</p>
5		<p>More options: Double-sided, twist-free wire intake for wires of 3 to 4 mm.</p>
6		<p>Flexible: The welder can alter the plastic output easily during welding. The Leister BL blower allows stepless adjustment of the air volume.</p>
7		<p>Ergonomic handling: The compact, ergonomic design allows you to work in comfort in any welding position.</p>



ECTFE) – at all times. The ergonomic design, which offers several grip positions and holding options, allows you to work in comfort in areas that are difficult to access.



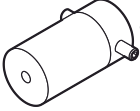
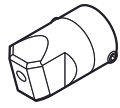
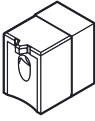
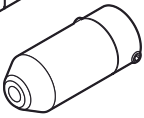
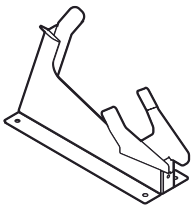
Full control, even in cramped conditions with very little light.

Digitally regulated extrusion welder

WELDPLAST S1

- Functional, ergonomic design with comfort grip areas
- Extremely high output power of 0.8 kg/h (HD-PE)
- Integrated LED lighting and hanging point
- Can work with all typical kinds of plastic
- Multifunction panel with predefined welding parameters
- BL blower, adjustable air volume

Accessories WELDPLAST S1

	149.430	Welding shoe complete Blank
	149.402	Fillet weld 5/6
	148.627	Fillet weld 8/10
	149.401	Fillet weld 12
	149.388	V-seam 3 / 4
	149.383	V-seam 5 / 6
	149.385	V-seam 8 / 10
	149.364	Corner
	148.923	Tool rest

Technical Data

Voltage	V~	230 / 120 / 100
Power	W	1600 / 1800 / 1500
Material		HD-PE, LD-PE, PP, PVC-U PVC-C, PVDF, ECTFE, PA
Welding rod	mm	Ø 3 – 4
Output	kg/h	0.2 – 0.8 (PVC up to 1.15 kg/h)
Size (L x W x H)	mm	435 x 91 x 264
Integrated welding profiles		HD-PE, PP, PVC-U, PVC-C, PVDF 10 free profile storage spaces
Weight	kg	4.7
Conformity mark		CE
Certification scheme		CCA
Protection class I		⊕

Article No.:

148.396	WELDPLAST S1, 230 V / 1600 W, Ø 3 – 4 mm, Euro plug
148.395	WELDPLAST S1, 120 V / 1800 W, Ø 3 – 4 mm, Euro plug
148.394	WELDPLAST S1, 100 V / 1500 W, Ø 3 – 4 mm, Euro plug

Included with purchase: WELDPLAST S1, user manual, 2 pre-heating nozzles, welding shoe K10, storage case





We are local. Worldwide.

Leister Technologies AG
Galileo-Strasse 10
CH-6056 Kaegiswil / Switzerland
phone: +41 41 662 74 74
fax: +41 41 662 74 16
leister@leister.com

Leister Technologies LLC
Itasca, IL 60143 / USA
phone: +1 630 760 1000
info@leisterusa.com

Leister Technologies Ltd.
Shanghai 201 109 / PRC
phone: +86 21 6442 2398
leister@leister.cn

Leister Technologis KK
Yokohama 222-0033 / Japan
phone: +81 45 477 36 37
info@leister.co.jp

Leister Technologies Benelux BV
3991 CE Houten / Nederland
phone: +31 (0)30 2199888
info@leister.nl

Leister Technologies India Pvt
600 041 Chennai / India
phone: +91 44 2454 3436
info@lipipolymers.com

Our close worldwide network of more than 120 Sales and Service Centers in more than 90 countries.

Europe:

Austria
Belarus
Belgium
Bulgaria
Croatia
Cyprus
Czech Republic
Estonia
Denmark
Finland
France
Germany
Great Britain
Greece
Hungary
Ireland
Iceland
Italy

Kazakhstan
Latvia
Lithuania
Netherlands
Norway
Poland
Portugal
Romania
Russia
Serbia
Slovakia
Slovenia
Spain
Sweden
Switzerland
Turkey
Ukraine

America:

Canada
Mexico
USA
Argentina
Brazil
Chile
Columbia
Costa Rica
Ecuador
Venezuela
Peru

Africa:

Algeria
Egypt
Kenya
Morocco
South Africa
Tunisia

Middle East:

U.A.E.
Saudi Arabia
Qatar
Iran

Asia Pacific:

P.R.China
Hong Kong
India
Indonesia
Japan
Korea
Malaysia
Mongolia
Philippines
Singapore
Taiwan
Thailand
Vietnam

Oceania:

Australia
New Zealand

© Copyright by Leister, Switzerland

Distributor Addresses: